



„Fascinating all around.“

The **ROTATIS MODIS 220** is made to touch and designed to look good from all sides.

Typical applications: Consultant desk, welcome areas, banks or salesrooms: A quiet and precise stepper motor technology extends the hidden aluminum monitor of the **ROTATIS MODIS 220** when required and enables the view and use of the comfortable 21.5 inch Full HD screen. The work surface concealed underneath is raised whisper quietly.

The highlight, however, is its **350° rotation function**. The monitor can be turned to the viewer intuitively and impressively comfortably. A precise and **reliable mechanism** that inspires.

Plug and Play: With the **ROTATIS MODIS 220** we provide convincing support for planning, installation and commissioning thanks to its amazingly compact dimensions, unbeatably low installation depth and closed design. Excellent!

ROTATIS MODIS 220



„Ready to spin“

The **ROTATIS MODIS 220** is a combination of an electrically driven screen/keyboard panel unit and a manual rotation function. It is at the same time elegant and precise in its movement mechanics. Highly flexible cables and torsion-resistant components ensure incomparable longevity. The **ROTATIS MODIS 220** can be perfectly combined with all common AV media technology components.

Features

- Slim monitor housing made of silver anodized aluminum
- Manual turning function with 350° stop
- Installation depth of only 113 mm, diameter 800 mm
- 3mm hardened & anti-reflective protective screen
- LightWeight, LowNoise-, LowEnergyDesign
- HDMI HDCP compatible
- FullHD resolution
- 5 years limited warranty
- 2x stepper motors 12V & precise mechanics, ball bearing guided turning mechanics
- Electronic clamping protection plus mechanical protection in case of incorrect operation
- Optionally expandable with a variety of additional functions, such as camera, touch screen, connection panels ...



Features

ROTATIS MODIS 220

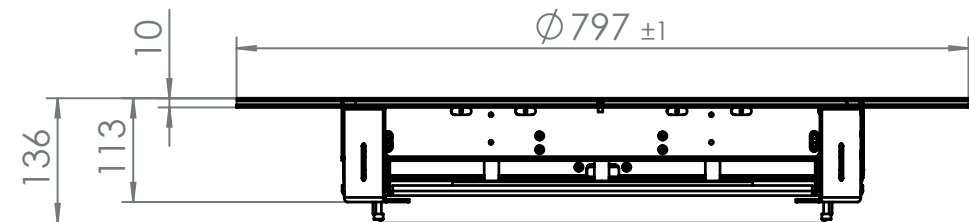
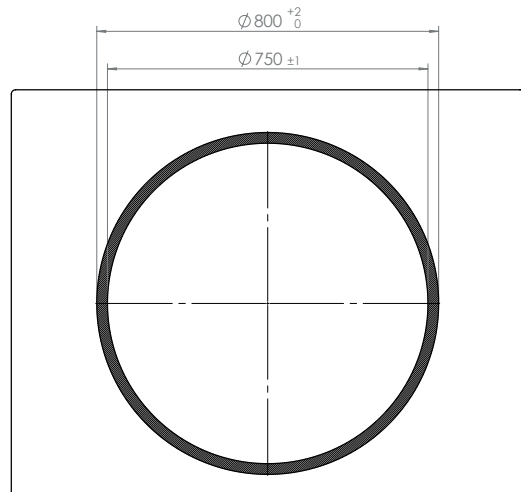
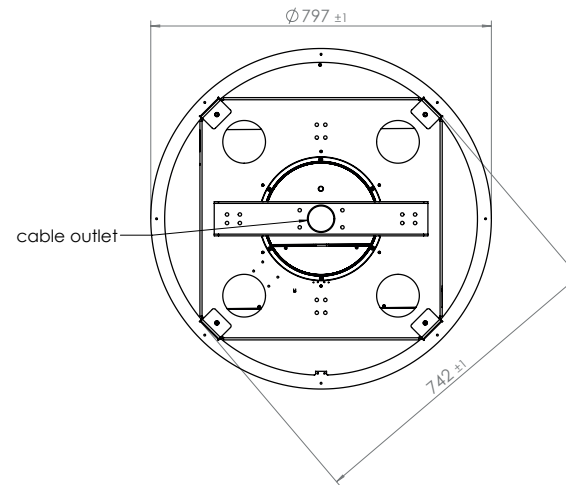
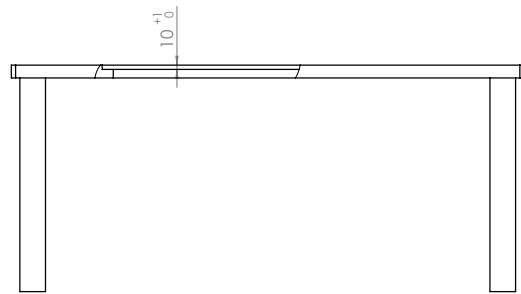
TECHNICAL DATA

Product Specification



Art.No.	304-220 ROTATIS	Screen size:	21.5" (16:9)
Type	MODIS 220 FLEX Full HD ROTATIS	Resolution:	1920 x 1080 - Full HD, 16,7M Farben
Function	Rotatable 21.5" monitor system that can be integrated into furniture; lifting mechanism with two separate motors for retraction/extension of monitor and front panel (notebook-like movement - visual display in closed position below; at the touch of a button on the device) or stepless variable via remote control interface). Manual rotation function 350°; 2x integrated USB plug-ins; control via cable remote control; remote control interfaces TCP/IP or contact. Low noise <40dB; two 12V stepper motors with precise synchronism - for simultaneous extension when using several monitors; independent electromotive adjustment of the tilt angle - both central presettable via remote interface & individual adjustment by the user.	Brightness:	400 cd/m2
Material	Monitor: Milled aluminium, anodized, 3 mm anti-reflective protective glass Decorative ribbon: Acrylic glass, black Mechanics: Anodized aluminium, stainless steel Turntable stainless steel, brushed Front panel / Keyboard plate: artificial leather, black	Contrast ratio:	(typ.) 1,000:1
		Viewing angle:	Horizontal 178° / vertical 178°
		Viewing area:	475.20 (H) x 267.30 (V) mm
		Pixel size:	0.1989 x 0.1989 mm
		LED Lifespan:	up to 50,000 hrs.
		Mass:	33 kg
		Dimensions:	800 x 113 mm (Diameter x D); Monitor thickness: 25mm
		Power consumption:	typ. 15 Watt
		P. consumption Monitor:	OFF: 0.12 Watt, Sleep: 0.60 Watts, ON: 19 Watt
		Inclination angle max.:	20°
		Appearance h. Monitor:	360mm at 110°
		2x Stepper Motors:	Display Motion & Front plate* (*not supplied w. Basic-Version)
		Video Interface:	HDMI, Displayport *, DVI **; HDCP compliant
		Remote Interface:	9-pin d-sub serial + RJ45/ TCP/IP for control and adjustment of motion parameter, also Firmware Update (E1-Cable & Software required)
		Scope of Supply:	Power adapter - Input: 100-240V AC, 50 / 60Hz. 1.5A; Output: 12V 60W MAX 5.A (Length DC ~ 140cm) Power Cord 1.5m; Cable Remote Control

* optionally, additional Interface | ** optionally, instead of HDMI



Dimensions

We'd be delighted to offer our expertise in the planning and selection of the right solution for your needs. If required, we can send further technical drawings, detailed photographs, material samples and, of course, demo devices – perfect to handle and try out.

Simply call us on +49 (0)7222 96654-20

Or send us an e-mail at: info@element-one.de

ELEMENT ONE

Multimedia GmbH

Zum Murgdamm 5

76456 Kuppenheim

Germany

Fon: +49 (0) 7222 966 54 20

Mail: info@element-one.de

www.element-one.de